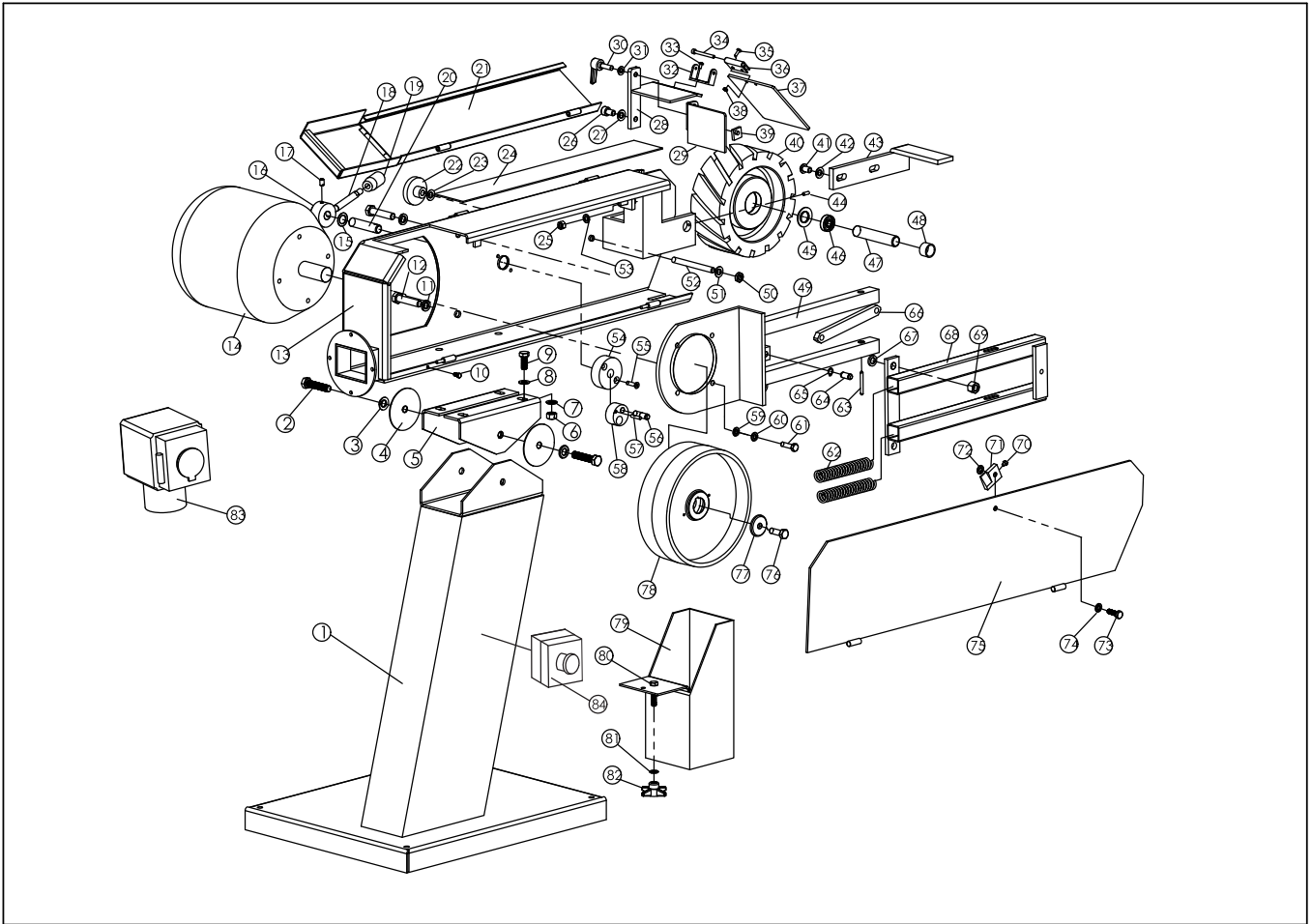


6		Circuit diagram	Drawn
5			Checked
4			
3			
2			Diagram No.
1			



LBG 75 part list

No.	Part No.	Description	No.	Part No.	Description
1		Stand	43		Work support
2	M12X30	Hex. screw	44	M5X16	Screw
3	12	Washer	45	42	Stop ring
4		Paper spacer	46	6004-2Z	Bearing
5		Clamp for angle & height adjustment	47		Shaft
6	M10	Nut	48		Spacer
7	10	Washer	49		Motor support
8	10	Washer	50	M10	Nut
9	M10X20	Hex. screw	51	10	Butterfly spring
10	M5X10	Hex. screw	52		Screw bar
11	12	Washer	53	8	Washer
12	M12X50	Hex. screw	54		Base
13		Body	55	M6X25	Screw
14	3Kw	Motor	56		Shaft
15		Washer	57	5X20	Elasticity pin
16		Belt tension release base	58		Eccentric wheel
17	M8X16	Inner Hex. screw	59	8	Washer
18		Belt tension release lever	60	8	Bolt
19	M10X50	Sleeve	61	M8X22	Spring
20		Shaft	62		Spring
21		Belt guard	63	6X40	Elasticity pin
22	10X63	Tracking adjust knob	64		Pin shaft
23	10	Washer	65	10	Stop ring
24	520X75	Graphite layer	66		Draw bar
25	M8	Nut	67	12	Butterfly spring
26	M10X16	Hex. screw	68		Support
27	10	Washer	69	M12	Belt adjustment device
28		Top work support	70	M5X8	Screw
29		Top work support plate	71		Protect buckle
30	M8X63	Lock handle	72	M10	Nut
31	8	Washer	73	M10X20	Screw
32		Eye protector base	74	10	Washer
33	M4X12	Screw	75		Side cover
34	M5X50	Hex. screw	76	M10X30	Bolt
35	M5X8	Screw	77		Washer
36		Eye protector binder	78		Steering wheel
37		Eye protector	79		Spark trap
38	M4	Nut	80	M8X15	Bolt
39		Block with thread	81	8	Washer
40		Contact wheel	82		Knob
41	M10X16	Hex. screw	83		Overload protection switch
42	10	Washer	84		Emergency stop switch

LBG 150 part list

No.	Part No.	Description	No.	Part No.	Description
1		Stand	43		Work support
2	M12X30	Hex. screw M12x30	44	M5X16	Screw
3	12	Washer	45	42	Stop ring
4		Paper spacer	46	6004-2Z	Bearing
5		Clamp for angle & height adjustment	47		Shaft
6	M10	Nut M10	48		Spacer
7	10	Washer	49		Motor support
8	10	Washer	50	M10	Nut
9	M10X30	Hex. screw	51	10	Butterfly spring
10	M5X10	Hex. screw	52		Screw bar
11	12	Washer	53	8	Washer
12	M12X50	Hex. screw	54		Base
13		Body	55	M6X25	Screw
14	3Kw	Motor	56		Shaft
15		Washer	57	5X20	Elasticity pin
16		Belt tension release base	58		Eccentric wheel
17	M8X16	Inner Hex. screw	59	8	Washer
18		Belt tension release lever	60	8	Spring washer
19	M10X50	Sleeve	61	M8X22	Bolt
20		Shaft	62		Spring
21		Belt guard	63	6X40	Elasticity pin
22	10X63	Tracking adjust knob	64		Pin shaft
23	10	Washer	65	10	Stop ring
24	520X75	Graphite layer	66		Draw bar
25	M8	Nut	67	12	Butterfly spring
26	M10X16	Hex. screw	68		Support
27	10	Washer	69	M12	Belt adjustment device
28		Top work support	70	M5X8	Screw
29		Top work support plate	71		Protect buckle
30	M8X63	Lock handle	72	M10	Nut
31	8	Washer	73	M10X20	Screw
32		Eye protector base	74	10	Washer
33	M4X12	Screw	75		Side cover
34	M5X50	Hex. screw	76	M10X30	Bolt
35	M5X8	Screw	77		Washer
36		Eye protector binder	78		Steering wheel
37		Eye protector	79		Spark trap
38	M4	Nut M4	80	M8X15	Bolt
39		Block with thread	81	8	Washer
40		Contact wheel	82		Knob
41	M10X16	Hex. screw	83		Overload protection switch
42	10	Washer	84		Emergency stop switch